

IT IS HIGHLY RECOMMENDED THAT THE INSTRUCTIONS BE READ THROUGH BEFORE INSTALLATION.

**Genius**<sup>®</sup>  
Retractable Screen Systems

## CASCADE

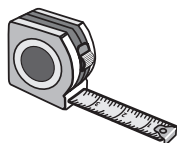
VERTICAL PULL-DOWN RETRACTABLE WINDOW SCREEN  
**INSTALLATION INSTRUCTIONS**

### INSTALLATION TOOLS

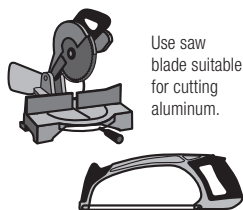
PHILLIPS SCREWDRIVER



MEASURING TAPE



HAND-HELD OR  
POWER SAW



POWER DRILL & BITS

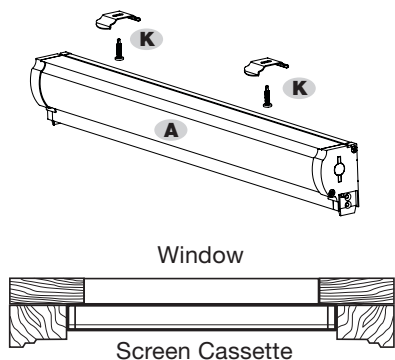


SOFT Mallet

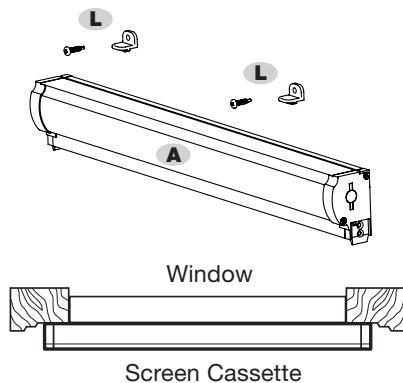


### INSTALLATION PREP

#### 1-A Recess Installation



#### 1-B Surface Installation



## 1 MOUNTING OPTIONS

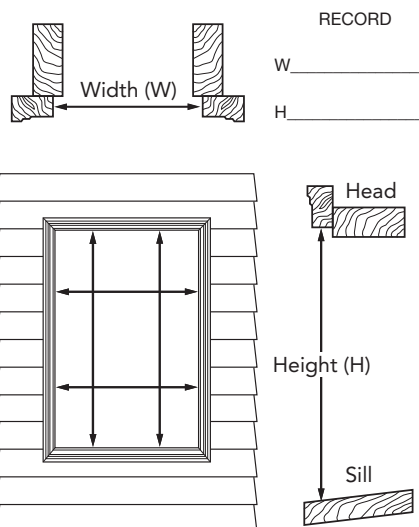
**1-A Recess Installation :** Mount the A-Screen Cassette using K-Recess Mounting Clips inside the window frame. Recess Installations are the most common.

**1-B Surface Installation :** Surface / Flush Mount the A-Screen Cassette using L-Surface Mount Clips.

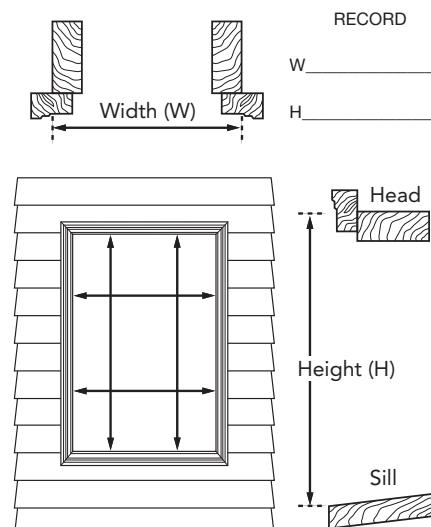
## 2 MEASURING

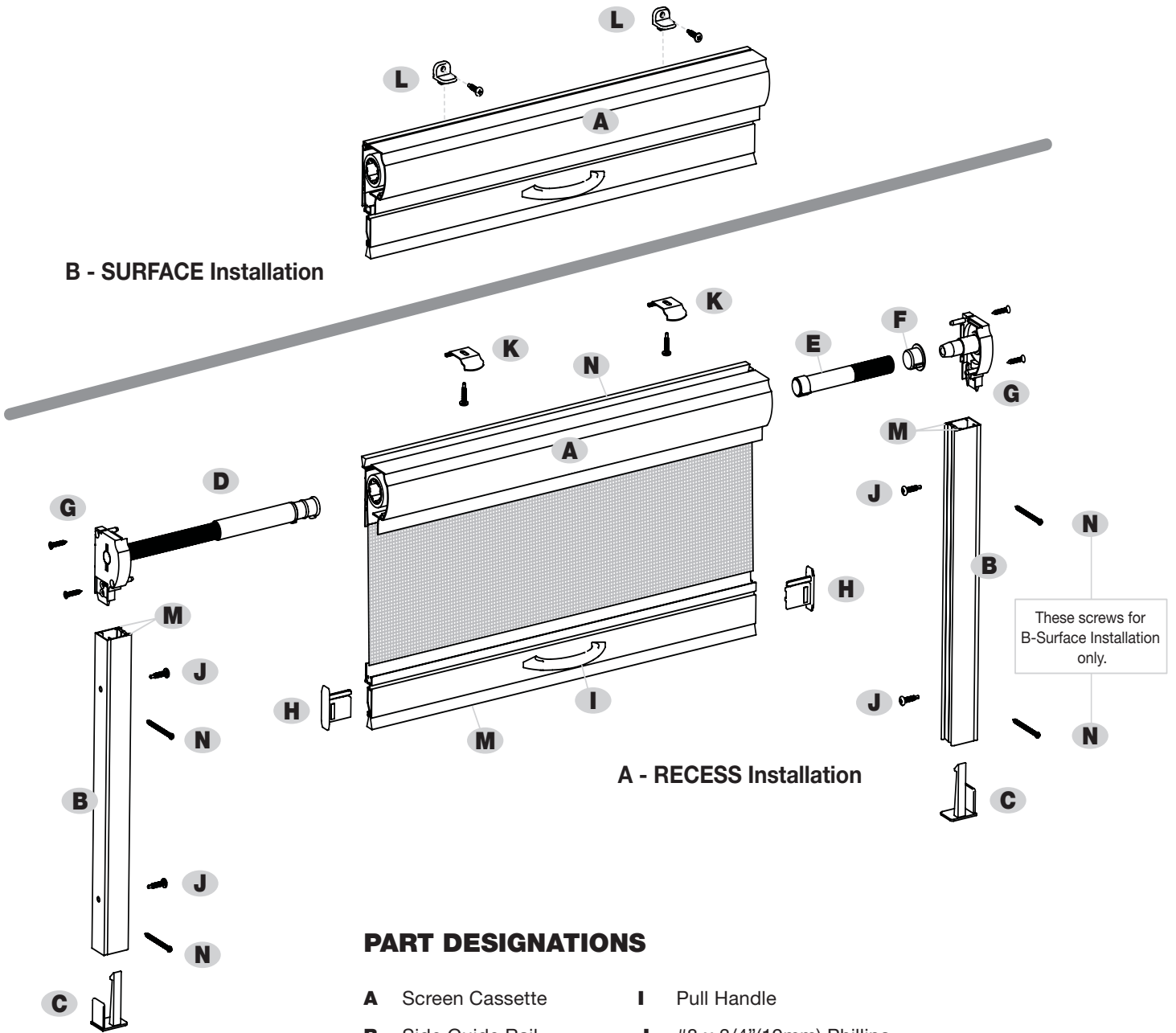
Measure the opening width and height in several places and record the smallest width and height measurement [2-A or 2-B]. If you have ordered a custom made screen, proceed to installation Step 8.

#### 2-A Recess Installation



#### 2-B Surface Installation

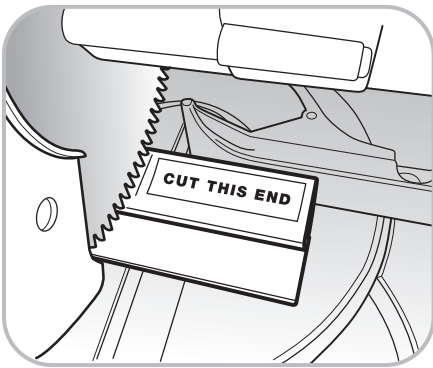




**PART DESIGNATIONS**

- |                           |                                                                             |
|---------------------------|-----------------------------------------------------------------------------|
| <b>A</b> Screen Cassette  | <b>I</b> Pull Handle                                                        |
| <b>B</b> Side Guide Rail  | <b>J</b> #8 x 3/4"(19mm) Phillips Panhead Screws                            |
| <b>C</b> End Cap / Latch  | <b>K</b> Recess Mount Clip                                                  |
| <b>D</b> Spring Assembly  | <b>L</b> Surface Mount Clip                                                 |
| <b>E</b> Brake            | <b>M</b> Insect Pile / Weather Strip                                        |
| <b>F</b> Bushing          | <b>N</b> 1/8"(3mm) x 1-3/4"(44mm) Alternate Guide Rail Surface Mount Screws |
| <b>G</b> Cassette End Cap |                                                                             |
| <b>H</b> Pull Bar End Cap |                                                                             |

*If you have purchased a custom made screen, bypass this custom sizing section and proceed directly to the installation section. Go to step 8 on page 4. Determine the type of installation that you will do, measure the opening and proceed as instructed.*



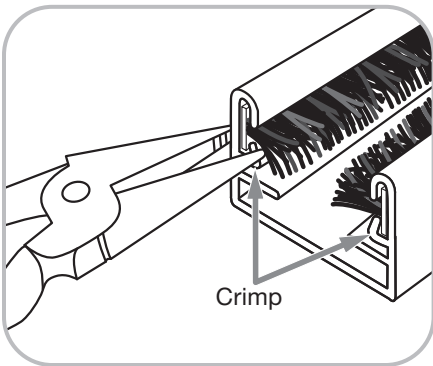
### 3 CUTTING THE CASSETTE

If you purchased an Easy Resizable Screen kit (not a custom made screen), then the A-Screen Cassette will already have one of the G-Cassette End Caps installed on the A-Cassette. Notice that the A-Screen Cassette has two removable stickers labeled “Begin Measuring From This End” (Side A), and another labeled “Cut This End” (Side B). Starting from Side “A”, measure from the end of the already installed G-Cassette End Cap, mark your desired width dimension and then subtract 3/8” (9.5mm) from Step 2 width measurements.

$$\text{_____ (Width-including G-Cassette End Cap) - 3/8" (9.5mm) = _____ Cassette Cut Length}$$

The 3/8” (9.5mm) deduction is an allowance for the second G-Cassette End Cap that you will install at Step 5.

Firmly hold the A-Screen Cassette & Pull Bar and cut to size (including the screen). Hold upright and tap away the metal shavings.



### 4 CUTTING THE SIDE GUIDE RAILS

Notice that the B-Side Guide Rails already have a C-End Cap/Latch installed at one end of the rail. **DO NOT CUT THIS END**; cut the opposite end. Mark your required net height dimension, then subtract 2-1/8” (54mm) from Step 2 width measurements. Cut the B-Side Guide Rails to size. Hold upright and tap away the metal shavings.

Be sure to cut the end that does not have the G-Cassette End Cap already installed.

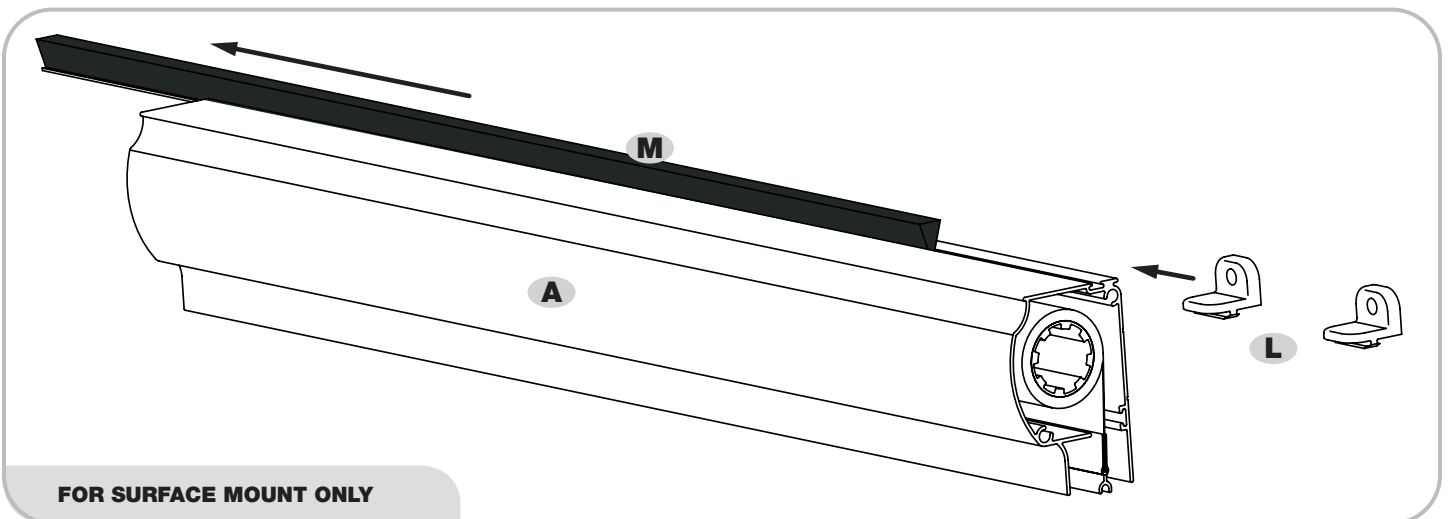
$$\text{_____ (H) - 2-1/8" = _____}$$

After cutting the B-Side Guide Rails, use pliers to crimp the M-Insect Pile/Weather Strip in place [see picture at left] so that it does not move in the holding channels.

### 5 INSECT PILE / WEATHER STRIP

**Recess Mount Applications :** The M-Insect Pile/Weather Strip is already installed in the channel located on the rear of the Cassette.

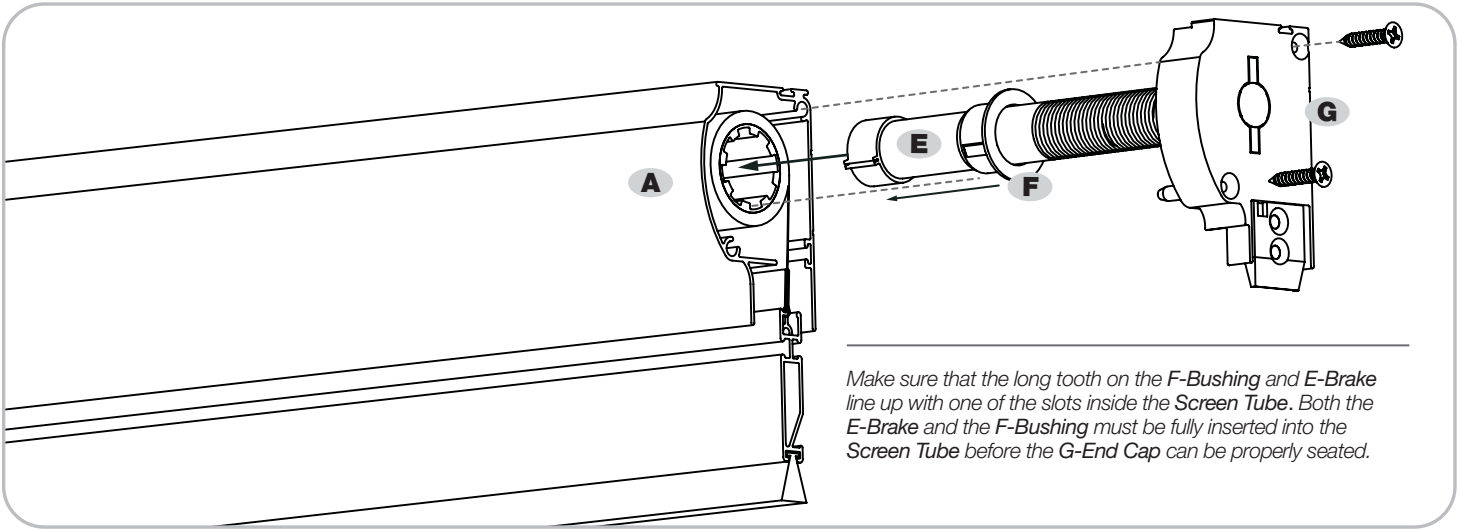
**Surface Mount Applications :** Remove the M-Insect Pile/Weatherstrip from the channel at the top back of the A-Screen Cassette. Then slide the runners on the bottom of two (2) L-Surface Mount Clips into the same channel, BEFORE installing G-End Caps. Note: the position of the L-Surface Mount Clips can be adjusted at any time once installed in the channel.



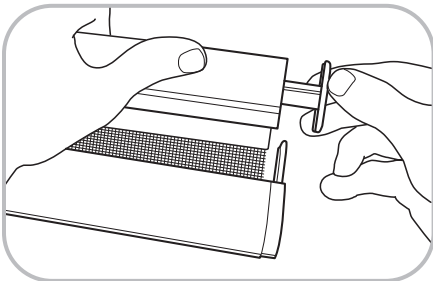
**FOR SURFACE MOUNT ONLY**

# 6 END CAP ASSEMBLY CONT.

The E-Brake, F-Bushing and G-Cassette End Cap come pre-assembled.



Slip the F-Bushing down the coiled spring to the E-Brake. On the open end of the A-Screen Cassette, insert the E-Brake with F-Bushing into the center of the Screen Tube, aligning the long tooth on both as noted above. Next, match up the large pin on the top of the G-End Cap to the corresponding hole at the top of the A-Screen Cassette Housing. Tap evenly with a soft mallet until the assembly fits snugly.



# 7 PULL BAR END CAP

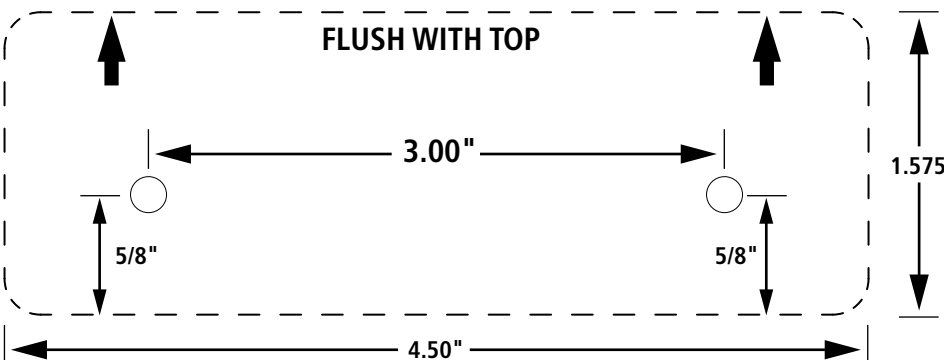
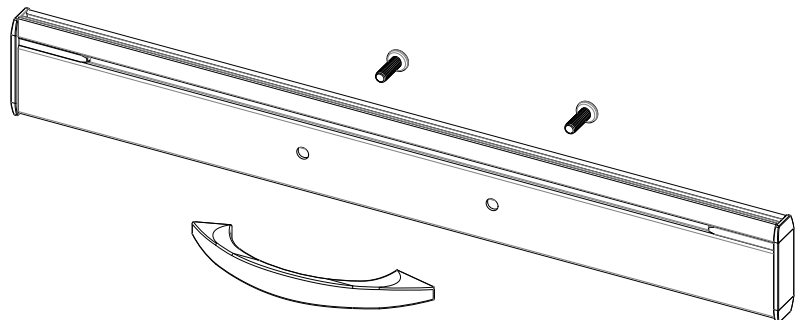
Insert the H-Pull Bar End Cap into the end of the Pull Bar and tap in place using a soft mallet.

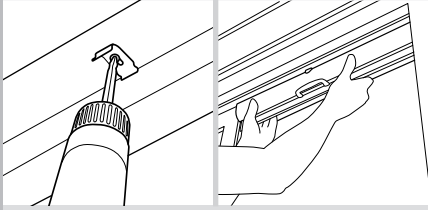
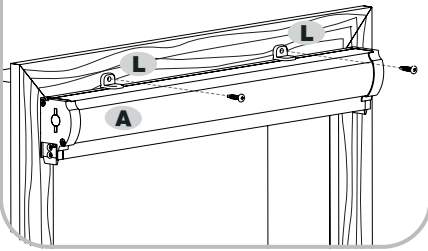
# 8 HANDLE ASSEMBLY

**Step 1:** Cut out template and position onto the Pull Bar at desired location. Use tape to hold in place.

**Step 2:** Drill two 3/16" holes all the way through the Pull Bar.

**Step 3:** Attach the handle using (2) #8-32 x 1/2" Phillips Panhead screws.



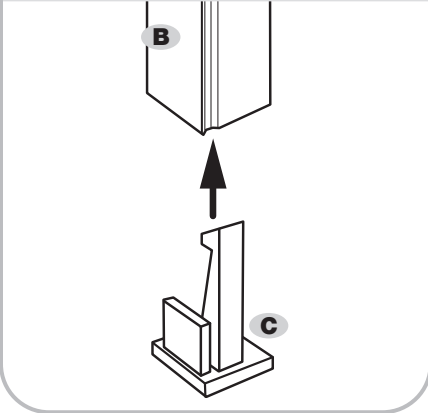
**8-A** Recess Installation**8-B** Surface Installation

**NOTE:** It is critical that the Screen Cassette and Rails be installed square and plumb in the door opening. Apply shims (not supplied) as needed.

## 8 INSTALLING THE CASSETTE

**8-A Recess Installation :** Use J-#8 x 3/4"(19mm) Phillips Panhead Screws to install K-Recess Mount Clips to the frame approx. 4" in from each side. Snap only the A-Screen Cassette into the Mount Clips.

**8-B Surface Installation :** Position the A-Screen Cassette, insert J-#8 x 3/4"(19mm) Phillips Panhead Screws into L-Surface Mount Clips and secure A-Screen Cassette to the frame.

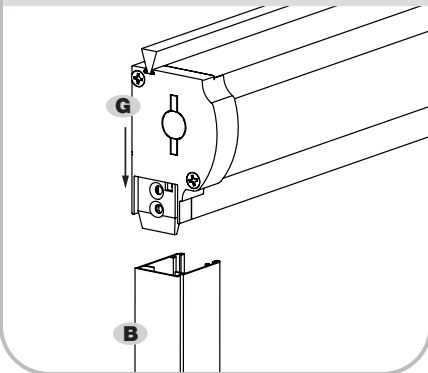
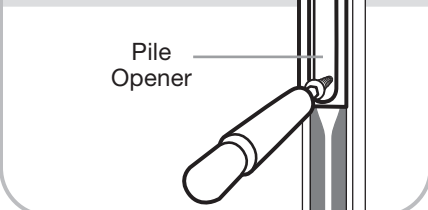
**9** End Cap/Latch Position

## 9 INSTALL THE SIDE RAILS

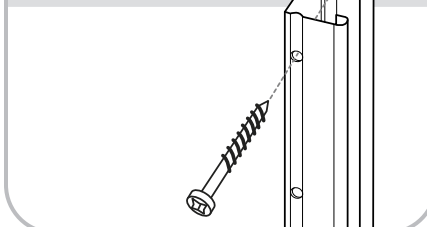
Before installing the two B-Side Guide Rails, rotate them so that the decorative groove on the rail and the C-End Cap / Latches are positioned as shown in [9]. The C-End Cap / Latch must be positioned in this manner in order for the 'hook' of the latch to correctly engage the A-Screen Cassette Pull Bar when the screen is extended.

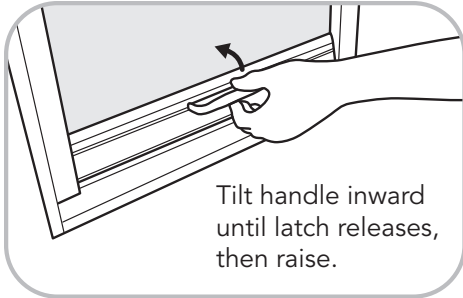
**9-A Recess Installation :** Insert both B-Side Guide Rails onto the protruding tabs of the G-Cassette End Caps [9-A.1].

Align the B-Side Guide Rails into the final position. Drill 3/16"(5mm) pilot holes at 3"(76mm) in from either end and in the center in between. Attach the B-Side Guide Rail to the door frame using J-#8 x 3/4"(19mm) Phillips Panhead Screws. When installing the B-Side Guide Rail, use the Black Plastic Pile Opener Tool that is provided with the screen kit to move the M-Insect Pile/Weather Strip out of the way while screwing the rails to the frame [9-A.2].

**9-A.1** Side Rail to Cassette End Cap**9-A.2** Recess Install

**9-B Surface Installation :** Using the decorative trim groove as a guide (and staying to the outside of the glide platforms inside the rail), drill 1/8"(3mm) holes through both sides of the B-Side Guide Rail. Begin by drilling holes approximately 3" (8cm) in from each end and then evenly space additional holes about every 12" (30cm). Secure the Guide Rail to the window with N-1/8"(3mm) x 1-3/4"(44mm) Alternate Guide Rail Surface Mount Screws provided in the bag labeled Surface Mount Kit. Do not over tighten screws.

**9-B** Surface Install



## OPERATION OF THE SCREEN

The internal lock mechanism will automatically catch once the rollerscreen is fully extended. To retract the screen, nudge the I-Pull Handle inwards slightly to release the lock.

**WARNING: Please use eye protection when cutting and installing your screen. This is not a safety or security screen. This product will not stop a child or pet from falling, provide security or protect your belongings.**

## TROUBLESHOOTING GUIDE

### **RETRACTABLE SCREEN IS DIFFICULT TO PULL OR BOUNCES AS IT OPENS AND CLOSES:**

- ▶ Check B-Side Guide Rails for screws that are not flush to the side housing. A lopsided screw head could interfere with screen action.
- ▶ Clean any debris from inside the B-Side Guide Rails.
- ▶ Make sure A-Screen Cassette has a 90° cut. If not, trim to a straight cut.
- ▶ A bouncing effect may indicate that the F-Bushing is not properly inserted inside the Screen Tube.
- ▶ Check if A-Pull Bar is rubbing against the B-Side Guide Rails. Trim down accordingly.
- ▶ Check to see that the H-Pull Bar End Cap is gliding freely.

### **THE RETRACTABLE SCREEN BINDS OR WILL NOT RETRACT INTO THE CASSETTE HOUSING PROPERLY:**

- ▶ See above steps.
- ▶ Make sure screen fabric is cut clean. A jagged cut will interfere with screen action.
- ▶ Check to see if the housing or inner tube have been twisted, bent or otherwise damaged during shipping.

### **SCREEN HAS BECOME TORN OR DAMAGED:**

- ▶ Replace the mesh using a Screen Refill Replacement Kit.

*Genius Retractable Screens provide insect protection and support fresh, natural ventilation in low-wind conditions. Unlike 4-sided rigid framed screens, Genius Retractable Screens move in and out of a protective cassette and the exposed surface area and edges of the fabric are flexible. Consequently, the wind speed that a retractable screen can withstand (e.g. before the edges of the screen fabric may push out of the guide rails), will depend on the width and height of the opening, the openness factor of the specific screen fabric and, other design factors of the model. Retractable screens are not to be kept open or continually exposed to wind, sun, rain or other harsh conditions. Please be sure to use your retractable screen only during low-wind conditions.*